

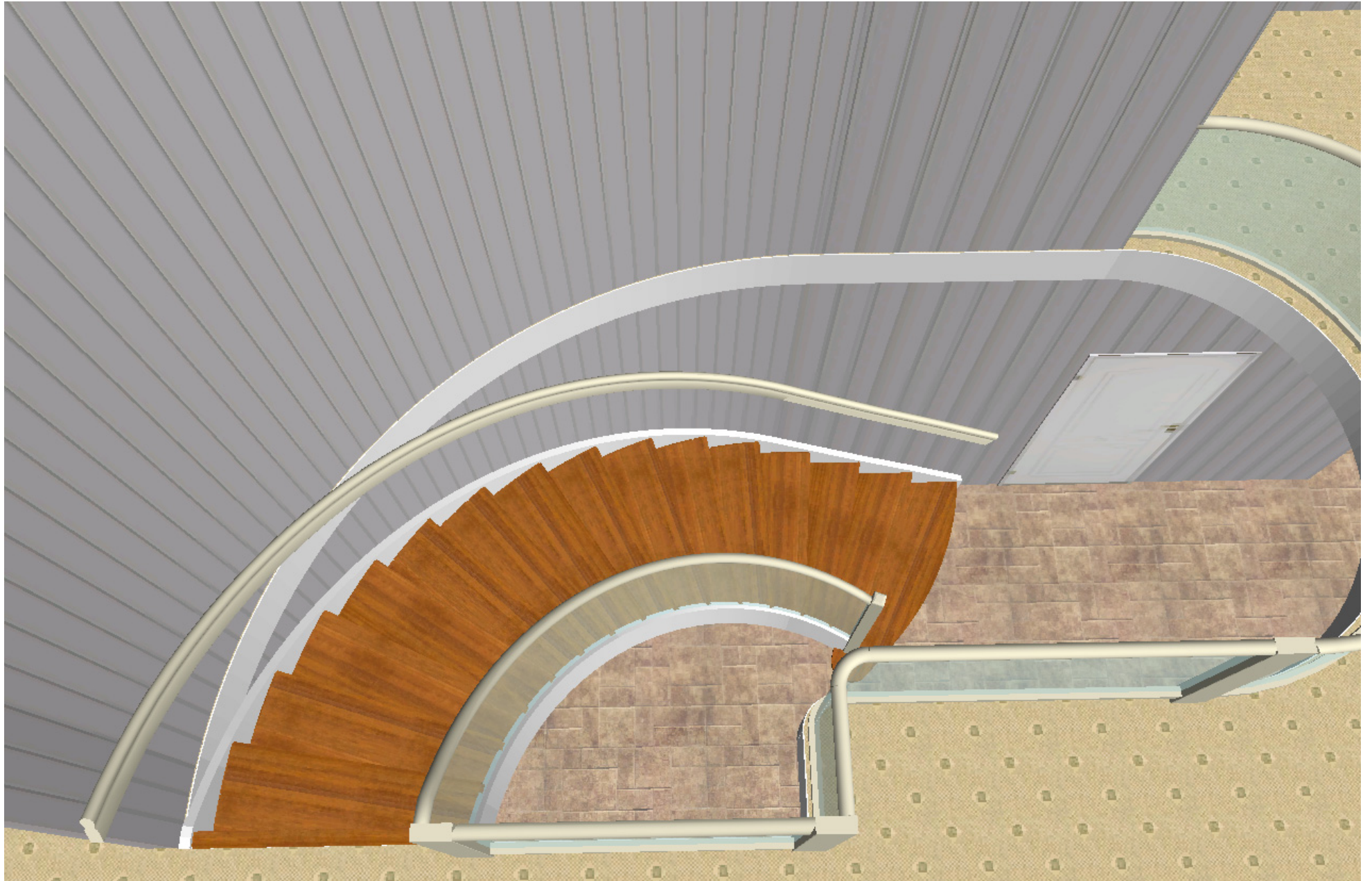
Our projectnumber
 Customer projectnumber
 Name Ligna Exhibition 2007
 Model Standard
 Floorheight 2850
 Floorthickness 250
 Headroom 1878
 Rise 190
 Going 290
 Start dim. End dim. 30 60
 Flooring thickness 0/0
 Underside stair Visible
 Railingheight 900
 Step covering
 Deliverytype of stair
 Deliverytype of railing
 Pieces 1 0

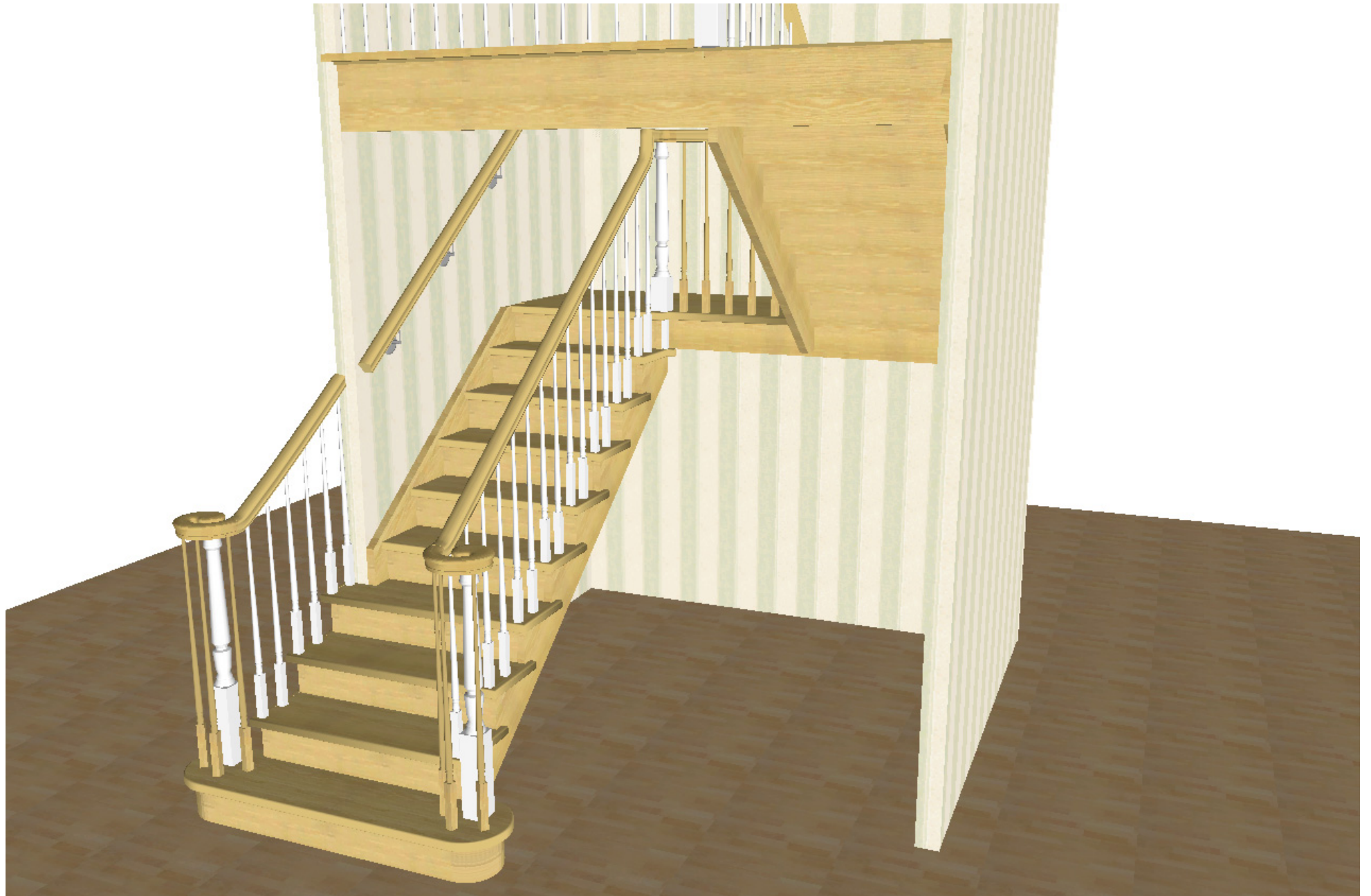
Steps
 Step thickness 40
 Stepmaterial SY-Pine
 Stepfinish -
String
 String thickness 40
 Stringmaterial SY-Pine
 Stringfinish -/Black
Riser
 Riserthickness 10
 Risermaterial SY-Pine
 Riserfinish
Safety riser
 Safety riser dim.
 Safety riser material
 Safety riser finish

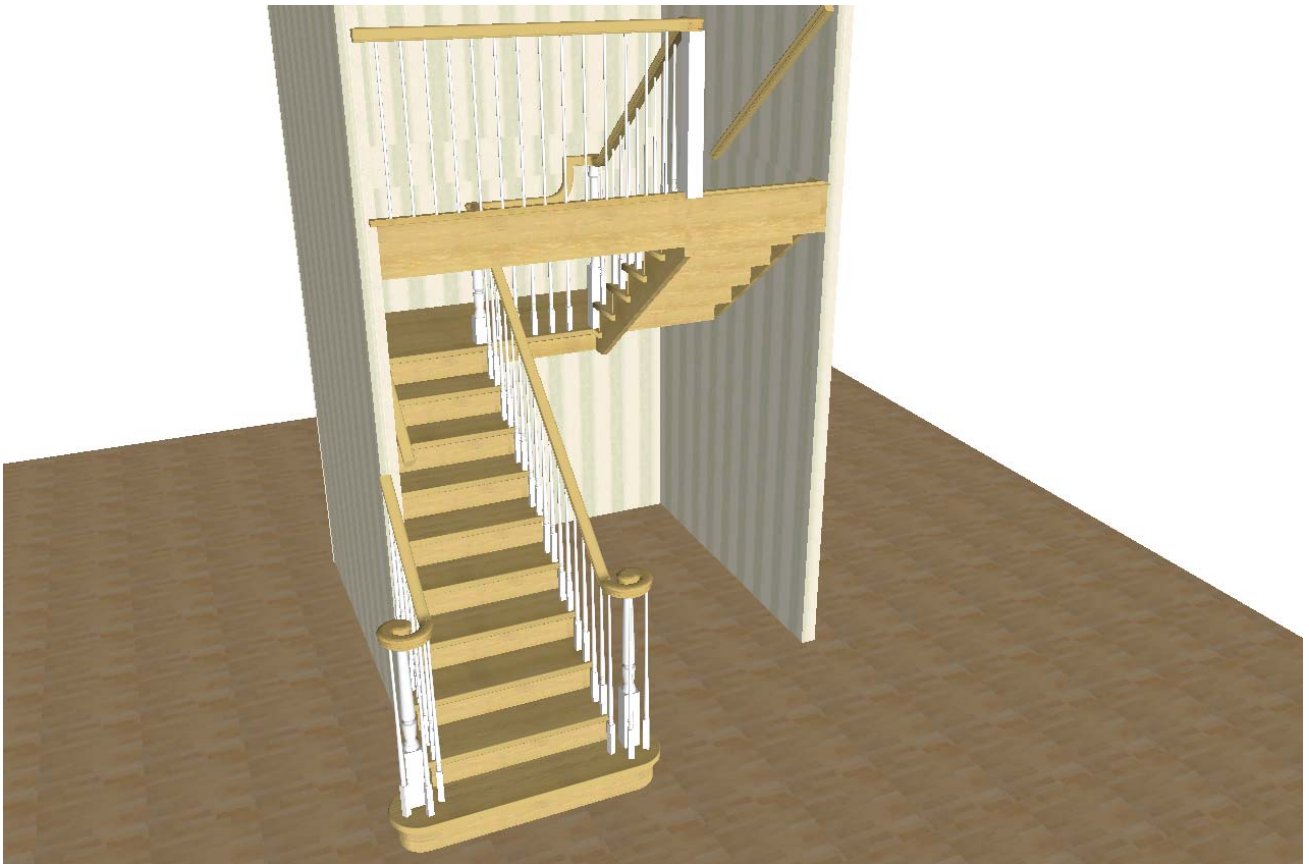
Post
 Post type P70x70
 Postmaterial SY-Pine
 Postfinish -
Baluster
 Baluster type Ø15
 Balustermaterial SY-Pine
 Balusterfinish Black
Handrail
 Handrail dim. 40x125/40x90
 Handrailmaterial SY-Pine
 Handrailfinish -
 Building code swe.nrm
 The demands of the building code are not fulfilled.

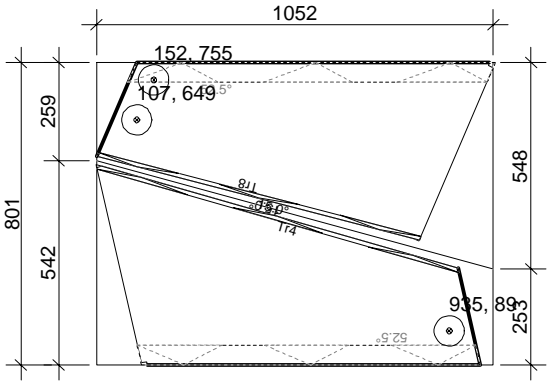
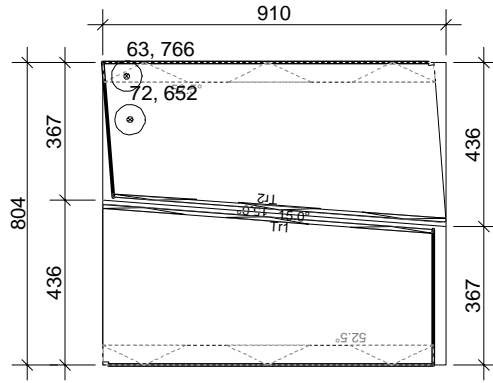
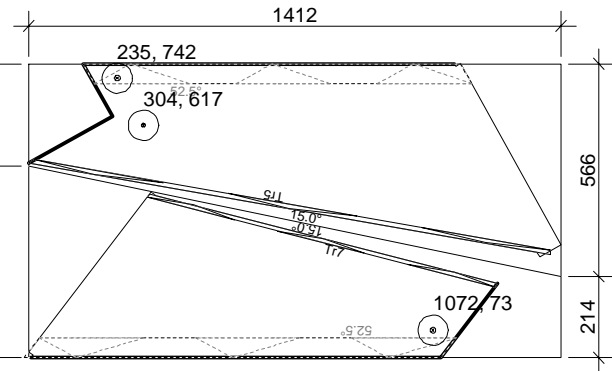
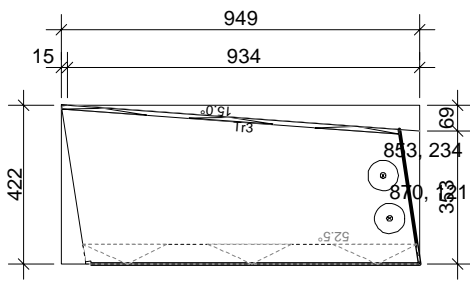
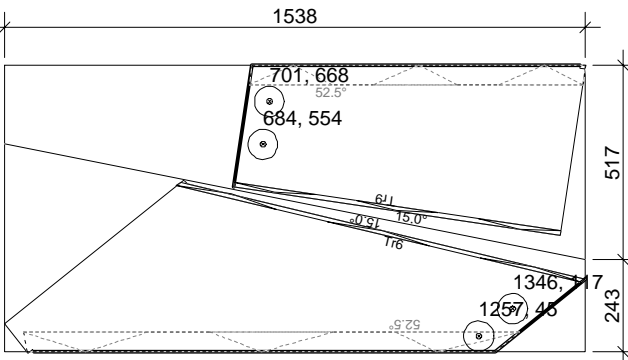
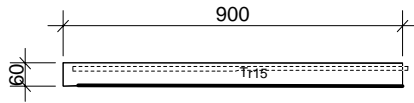
Placement Stairwell: 1 Floor: 1
 View Elevation Right - Stair: 1
 Scale 1:30.0
 Sum





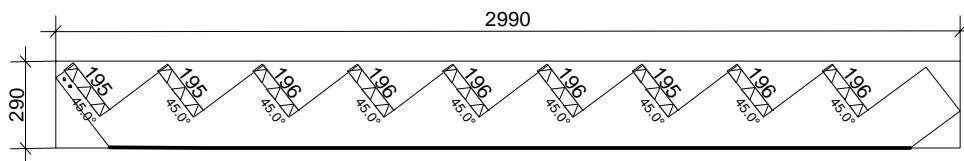




<p>Tr4+Tr8 40 SY-Pine -</p> 	<p>Tr1+Tr2 40 SY-Pine -</p> 		
<p>Tr7+Tr5 40 SY-Pine -</p> 	<p>Tr3 40 SY-Pine -</p> 		
<p>Tr6+Tr9 40 SY-Pine -</p> 	<p>Tr15 40 SY-Pine -</p> 		
<p>Our projectnumber</p>	<p>Customer projectnumber</p>	<p>Schaal 1:20.0</p>	<p>Pagina 1/1</p>
<p>Plaats Hannover</p>	<p>Datum 10-05-2007</p>	<p>Handtekening MMA</p>	<p>Plaatsing Stairwell: 1 Floor: 1</p>

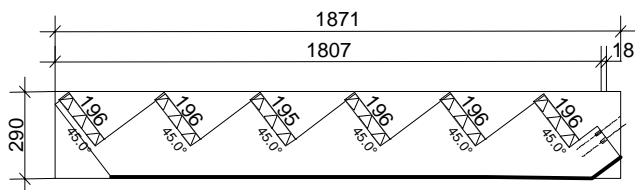
St1R
SY-Pine

40



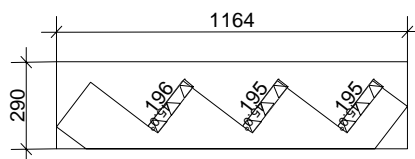
St3R
SY-Pine

40



St1L
SY-Pine

40



CONSULTEC[®]

Ligna show 2007
Hannover
GERMANY

Our projectnumber
1002

Customer projectnumber
1001

Scale 1:25.0

City
Skellefteå

Date
09-05-2007

Signature
MMa

Supplier: Own productionStairwell: 1 Floor: 1Step

<input type="checkbox"/>	1 ea.	30 x 874 x 100		SY-Pine, -	Tr16 (End tread)
<input type="checkbox"/>	1 ea.	30 x 874 x 284		SY-Pine, -	Tr11
<input type="checkbox"/>	1 ea.	30 x 874 x 286		SY-Pine, -	Tr9
<input type="checkbox"/>	4 ea.	30 x 874 x 290		SY-Pine, -	Tr5-8
<input type="checkbox"/>	4 ea.	30 x 874 x 292		SY-Pine, -	Tr12-15
<input type="checkbox"/>	3 ea.	30 x 1039 x 290		SY-Pine, -	Tr2-4
<input type="checkbox"/>	1 ea.	30 x 1509 x 340		SY-Pine, -	Tr1 (Bullnose step)
<input type="checkbox"/>	1 ea.	30 x 2542 x 976		SY-Pine, -	Tr10 (Landing)

String

<input type="checkbox"/>	1 ea.	40 x 1874 x 229		SY-Pine, -	St4L
<input type="checkbox"/>	1 ea.	40 x 1924 x 231		SY-Pine, -	St3L

Posts in stair

<input type="checkbox"/>	1 ea.	89 x 89 x 1016	3010	SY-Pine, White	StPR
<input type="checkbox"/>	1 ea.	89 x 89 x 1081	3010	SY-Pine, White	SP2-3R
<input type="checkbox"/>	1 ea.	89 x 89 x 1228	3010	SY-Pine, White	StPL
<input type="checkbox"/>	1 ea.	89 x 89 x 840	3010	SY-Pine, White	SP1-2R

Handrail

<input type="checkbox"/>	1 ea.	64 x 0 x 60	90°/90°	6009	SY-Pine, -	HRR2R- Part1
<input type="checkbox"/>	1 ea.	64 x 59 x 85	-106°/-61°	6009	SY-Pine, -	HRR1R- Part4
<input type="checkbox"/>	2 ea.	64 x 60 x 120	-0°/45°	6009	SY-Pine, -	HRR1-2R- Part5
<input type="checkbox"/>	1 ea.	64 x 60 x 141	-45°/-0°	6009	SY-Pine, -	HRR2R- Part4
<input type="checkbox"/>	1 ea.	64 x 60 x 405	0°/-0°	6009	SY-Pine, -	HRR2R- Part2
<input type="checkbox"/>	1 ea.	64 x 60 x 1632	0°/-0°	6009	SY-Pine, -	HRR4L
<input type="checkbox"/>	1 ea.	64 x 60 x 2290	0°/0°	6009	SY-Pine, -	HRR1R- Part2
<input type="checkbox"/>	1 ea.	64 x 62 x 1839	-0°/0°	6009	SY-Pine, -	HRR3L
<input type="checkbox"/>	1 ea.	64 x 65 x 95		6009	SY-Pine, -	HRR1L- Part1
<input type="checkbox"/>	1 ea.	64 x 65 x 101		6009	SY-Pine, -	HRR1R- Part1
<input type="checkbox"/>	1 ea.	64 x 65 x 102		6009	SY-Pine, -	HRR3R- Part1
<input type="checkbox"/>	1 ea.	64 x 67 x 805		6009	SY-Pine, -	HRR1L- Part2
<input type="checkbox"/>	1 ea.	64 x 71 x 143		6009	SY-Pine, -	HRR1R- Part3
<input type="checkbox"/>	1 ea.	64 x 90 x 226		6009	SY-Pine, -	HRR2R- Part3
<input type="checkbox"/>	1 ea.	64 x 106 x 1536		6009	SY-Pine, -	HRR3R- Part2

Riser

<input type="checkbox"/>	1 ea.	10 x 186 x 989	152/175°		SY-Pine, -	Ri1
<input type="checkbox"/>	11 ea.	10 x 196 x 854	/135°		SY-Pine, -	Ri5-15
<input type="checkbox"/>	3 ea.	10 x 196 x 989	45/135°		SY-Pine, -	Ri2-4
<input type="checkbox"/>	1 ea.	20 x 196 x 854	/135°		SY-Pine, -	Ri16

Baluster

<input type="checkbox"/>	1 ea.	5 x 1922	Rail Bracket	SY-Pine, Grey	Ba1R3L
<input type="checkbox"/>	1 ea.	5 x 2286	Rail Bracket	SY-Pine, Grey	Ba2R3L
<input type="checkbox"/>	1 ea.	5 x 2650	Rail Bracket	SY-Pine, Grey	Ba3R3L

Apron lining

<input type="checkbox"/>	1 ea.	20 x 279 x 2540		SY-Pine, -	FC4
--------------------------	-------	-----------------	--	------------	-----

Supplier: FittsStairwell: 1 Floor: 1Baluster

<input type="checkbox"/>	1 ea.	32 x 32 x 827	5015	SY-Pine, White	Ba5R1L	FH5015040
<input type="checkbox"/>	1 ea.	32 x 32 x 843	5015	SY-Pine, White	Ba3R1L	FH5015040
<input type="checkbox"/>	1 ea.	32 x 32 x 849	5015	SY-Pine, White	Ba15R1R	FH5015040
<input type="checkbox"/>	1 ea.	32 x 32 x 853	5015	SY-Pine, White	Ba13R1R	FH5015040
<input type="checkbox"/>	1 ea.	32 x 32 x 855	5015	SY-Pine, White	Ba10R3R	FH5015040
<input type="checkbox"/>	1 ea.	32 x 32 x 856	5015	SY-Pine, White	Ba11R1R	FH5015040
<input type="checkbox"/>	1 ea.	32 x 32 x 860	5015	SY-Pine, White	Ba9R1R	FH5015040
<input type="checkbox"/>	1 ea.	32 x 32 x 864	5015	SY-Pine, White	Ba7R1R	FH5015040
<input type="checkbox"/>	1 ea.	32 x 32 x 868	5015	SY-Pine, White	Ba5R1R	FH5015040
<input type="checkbox"/>	2 ea.	32 x 32 x 871	5015	SY-Pine, White	Ba1R1L, Ba3R1R	FH5015040
<input type="checkbox"/>	1 ea.	32 x 32 x 872	5015	SY-Pine, White	Ba2R3R	FH5015040
<input type="checkbox"/>	1 ea.	32 x 32 x 873	5015	SY-Pine, White	Ba4R3R	FH5015040
<input type="checkbox"/>	1 ea.	32 x 32 x 874	5015	SY-Pine, White	Ba6R3R	FH5015040
<input type="checkbox"/>	2 ea.	32 x 32 x 875	5015	SY-Pine, White	Ba8R3R, Ba1R1R	FH5015040
<input type="checkbox"/>	4 ea.	32 x 32 x 885	5015	SY-Pine, White	Ba1-4R2R	FH5015040
<input type="checkbox"/>	1 ea.	32 x 32 x 916	5015	SY-Pine, White	Ba1R3R	FH5015041
<input type="checkbox"/>	1 ea.	32 x 32 x 917	5015	SY-Pine, White	Ba6R1L	FH5015041
<input type="checkbox"/>	1 ea.	32 x 32 x 929	5015	SY-Pine, White	Ba4R1L	FH5015041
<input type="checkbox"/>	1 ea.	32 x 32 x 946	5015	SY-Pine, White	Ba14R1R	FH5015041
<input type="checkbox"/>	2 ea.	32 x 32 x 950	5015	SY-Pine, White	Ba12R1R, Ba2R1L	FH5015041
<input type="checkbox"/>	2 ea.	32 x 32 x 953	5015	SY-Pine, White	Ba5R2R, Ba10R1R	FH5015041
<input type="checkbox"/>	1 ea.	32 x 32 x 957	5015	SY-Pine, White	Ba8R1R	FH5015041
<input type="checkbox"/>	1 ea.	32 x 32 x 960	5015	SY-Pine, White	Ba16R1R	FH5015041
<input type="checkbox"/>	1 ea.	32 x 32 x 961	5015	SY-Pine, White	Ba6R1R	FH5015041
<input type="checkbox"/>	1 ea.	32 x 32 x 965	5015	SY-Pine, White	Ba4R1R	FH5015041
<input type="checkbox"/>	1 ea.	32 x 32 x 967	5015	SY-Pine, White	Ba3R3R	FH5015041
<input type="checkbox"/>	2 ea.	32 x 32 x 968	5015	SY-Pine, White	Ba5R3R, Ba2R1R	FH5015041
<input type="checkbox"/>	1 ea.	32 x 32 x 969	5015	SY-Pine, White	Ba7R3R	FH5015041
<input type="checkbox"/>	1 ea.	32 x 32 x 970	5015	SY-Pine, White	Ba9R3R	FH5015041
<input type="checkbox"/>	3 ea.	32 x 32 x 1028	5015	SY-Pine, White	Ba1-3RPost capStPLU	FH5015042
<input type="checkbox"/>	3 ea.	32 x 32 x 1031	5015	SY-Pine, White	Ba1-3RPost capStPRU	FH5015042